



ALARMS & INDICATION

XTRA-BRITE SINGLE COLOR LED FLASHING OR STEADY BEACONS 125XBR SERIES

2

ALARMS & INDICATION

DESCRIPTION

The Edwards Signaling 125XBR Class XBR XTRA-BRITE™ LED beacons are UL and cUL listed dual mode signaling devices, available in two versions, Steady-On/Flashing (125XBRM) and Steady-On/Lightburst (125XBRZ). Both versions feature a corrosion resistant Type 4X enclosure and can be panel or conduit mounted. The lens is made of shatter resistant polycarbonate. Both the 125XBRM and 125XBRZ beacons are dual mode devices, maximizing application flexibility while reducing inventory costs. It can also be panel-mounted using the mounting gasket provided with the unit.

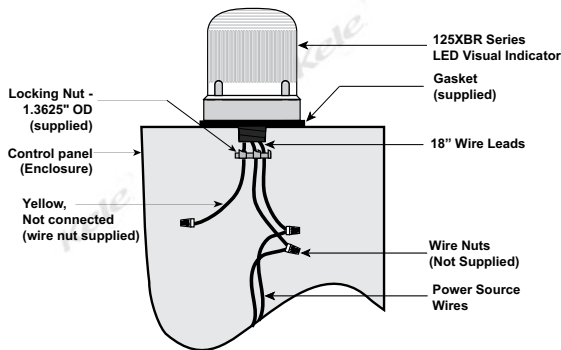
FEATURES

- Available in 24 VDC or 120 VAC
- Available with amber, blue, green, red or white lens
- Available with gray or black base
- Option for panel or conduit mounting
- Available in dual mode Steady-On/Flashing LED or Steady-On/Lightburst LED versions

SPECIFICATIONS

Supply Voltage	
125XBRxx24Dx	24 VDC, 0.215A
125BRxx120Ax	120 VAC, 50/60Hz, 0.108A
Wiring	18" (45cm) 4-Wire Pigtail
Color	Amber, Blue, Clear, Green, Red
Flash Rate	Selectable through wire connection
125XBRM	Steady-On/Flashing (65 FPM)
125XBRZ	Steady-On/Lightburst (420FPM)
Projected LED Life	148,000 hours
Mounting	On 1/2" or 3/4" NPT conduit using a 1/2" internal or 3/4" external conduit hub
Operating Temperature	-31° to 150°F (-35° to 66°C)
Enclosure Rating	NEMA 4X
Dimensions	3.875"H x 3.875"H (98.4mm) X 3.25"W (82.6mm) X 3.25"W (82.6mm)
Weight	0.5lbs (0.22 Kg)
Approvals	UL file E340873
Warranty	1.5 years

WIRING



WIRING			
AC		DC	
Hot	Black	+	Red
Neutral	White	-	Black

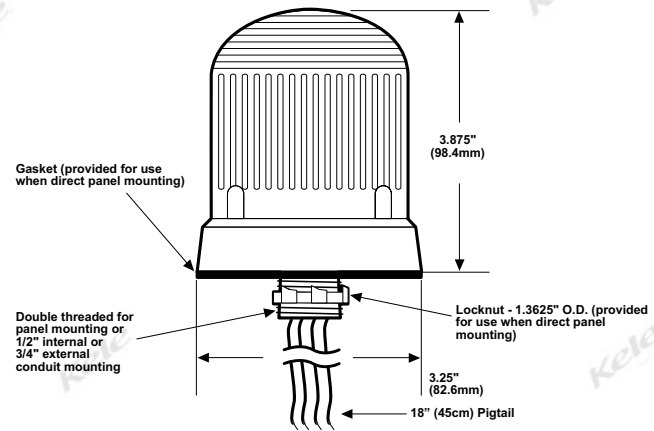
NEW!

Edwards Signaling™



125XBR

DIMENSIONS



ORDERING INFORMATION

MODEL	DESCRIPTION
125XBR	Dual Mode XBR LED Beacons in NEMA 4X Enclosure
OPERATION	
M	Steady-On/ Flashing LED
Z	Steady-On/ Lightburst
COLOR	
A	Amber
B	Blue
G	Green
R	Red
W	White
SUPPLY VOLTAGE	
24D	24V DC
120A	120V AC @ 60 Hz
BASE COLOR	
(BLANK)	Gray
B	Black

125XBR - [] - [Z] - [R] - [120A] - [] Example: 125XBRZR120A Dual Mode XBR LED Beacons in NEMA 4X Enclosure, with Steady-On Lightburst, red LED, 120V AC @ 60 Hz, and gray base

ACCESSORIES

- 125GRD Optional Guard for use with 125 Class Beacons
- CBR Outside Corner Mount Bracket
- WBR Wall Mount Bracket

NEW!